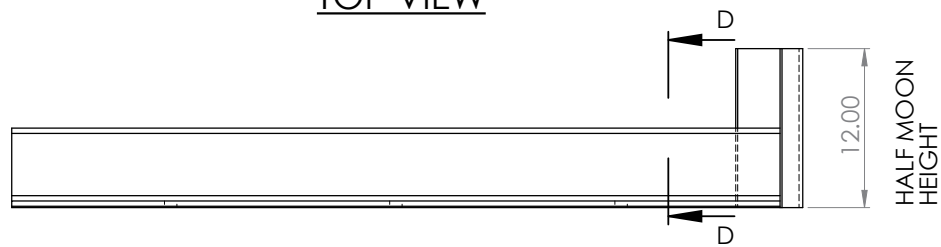


TOP VIEW

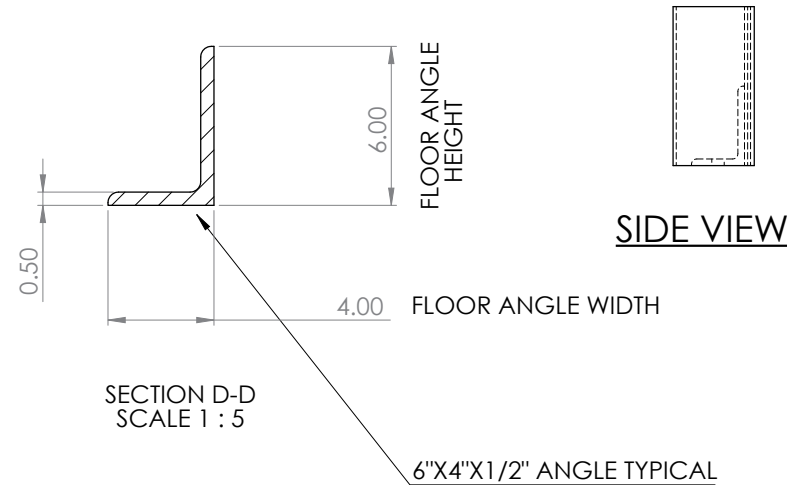
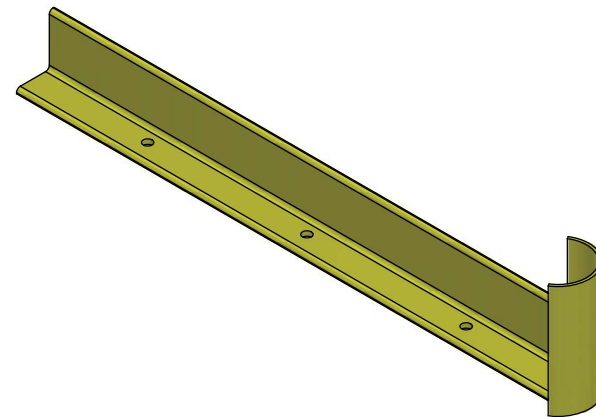


FRONT VIEW

**CUSTOMIZE OPTIONS**

HALF MOON HEIGHT  INCHES

OVERALL LENGTH  INCHES



SIDE VIEW



THIS DRAWING AND ALL THE INFORMATION THEREON IS THE PROPERTY OF THE IDEAL SHIELD, IS CONFIDENTIAL AND MUST NOT BE MADE PUBLIC, NOR COPIED, NOR USED, TO THE DISADVANTAGE OF SAID IDEAL SHIELD AND IS SUBJECT TO RETURN ON DEMAND  
COPYRIGHT 2003  
IDEAL SHIELD

UNLESS OTHERWISE SPECIFIED: DIMENSIONS ARE IN INCHES SURFACE FINISH: TOLERANCES: LINEAR: ANGULAR:			FINISH: <b>YELLOW POWDERCOAT</b>		DEBURR AND BREAK SHARP EDGES		DO NOT SCALE DRAWING		REVISION		
DRAWN			NAME			SIGNATURE			DATE		
CHK'D											
APP'VD											
MFG											
Q.A											
MATERIAL: <b>A36 STEEL</b>						DWG. NO. <b>PRFS-ASSY-01</b>		A3			
WEIGHT:						SCALE: 1:10		SHEET 3 OF 4			

TITLE:  
**HALF RACK FLOOR  
SHIELD HEAVY**