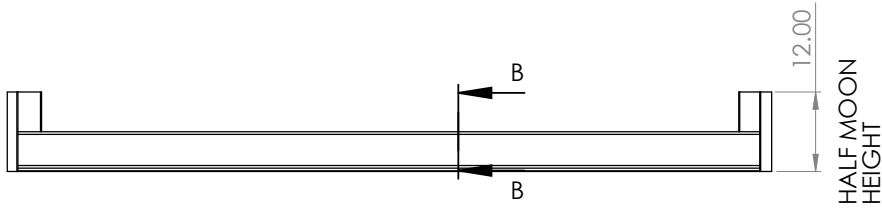
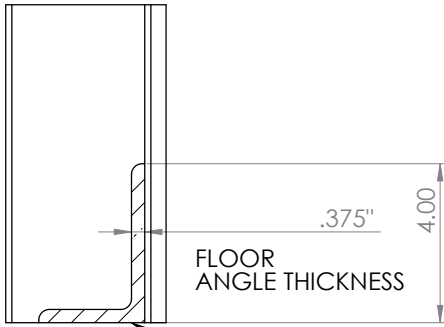
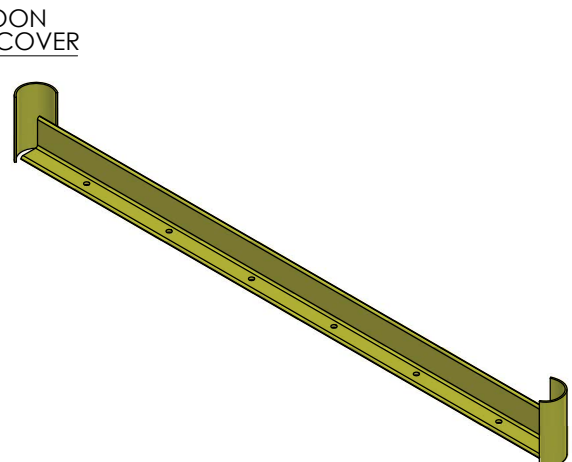


TOP VIEW



FRONT VIEW



SIDE VIEW

CUSTOMIZE OPTIONS

HALF MOON HEIGHT INCHES

OVERALL LENGTH INCHES

4"X3"X.375" ANGLE TYPICAL



THIS DRAWING AND ALL THE INFORMATION THEREON IS THE PROPERTY OF THE IDEAL SHIELD, IS CONFIDENTIAL AND MUST NOT BE MADE PUBLIC, NOR COPIED, NOR USED, TO THE DISADVANTAGE OF SAID IDEAL SHIELD AND IS SUBJECT TO RETURN ON DEMAND
COPYRIGHT 2003
IDEAL SHIELD

UNLESS OTHERWISE SPECIFIED: DIMENSIONS ARE IN INCHES SURFACE FINISH: TOLERANCES: LINEAR: ANGULAR:		FINISH: YELLOW POWDERCOAT	DEBURR AND BREAK SHARP EDGES	DO NOT SCALE DRAWING	REVISION
DRAWN	NAME	SIGNATURE	DATE	TITLE: RACK FLOOR SHIELD STANDARD	
CHK'D				DWG NO. PRFS-ASSY-01	
APP'VD				A3	
MFG				MATERIAL: A36 STEEL	
Q.A				WEIGHT:	
			SCALE: 1:20		SHEET 2 OF 4