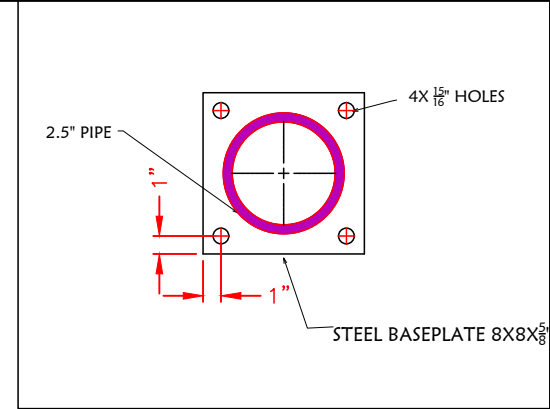
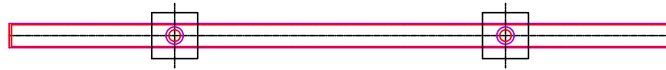


PLATED ONE LINE STANDARD GUARDRAIL
 PART#: SGR-1-LENGTH-HEIGHT-PLATED

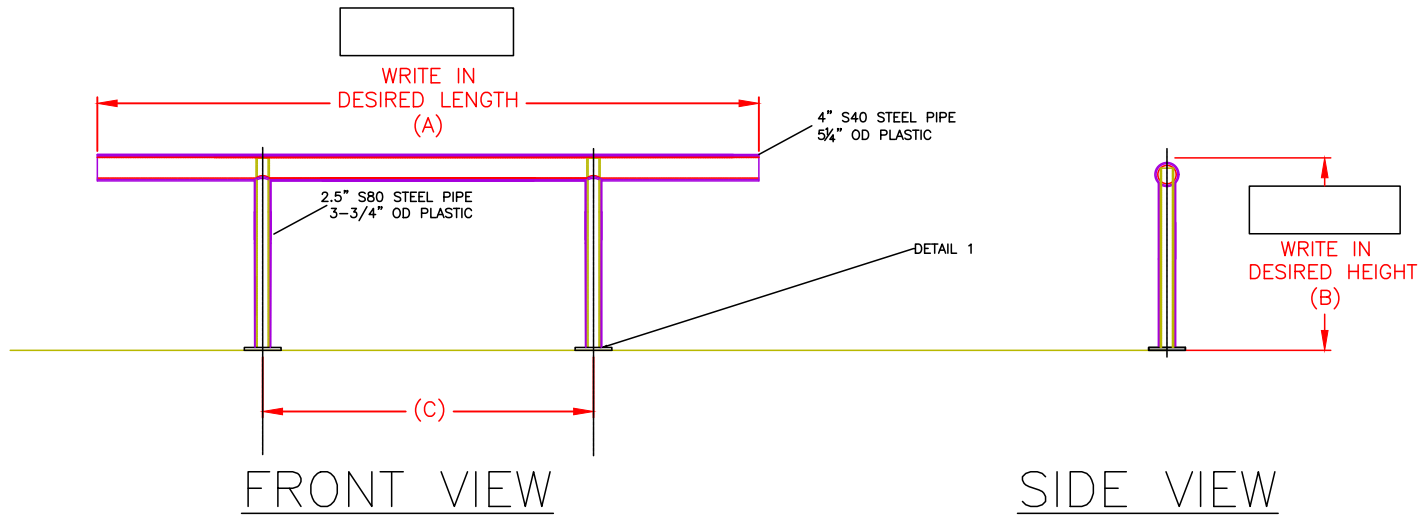
ONE LINE STANDARD GUARDRAIL SIZE CHART		
STANDARD LENGTH (A)	STANDARD HEIGHT (B)	POST TO POST LENGTH (C)
4'-0"	14.75", 27", 36", 42"	2'-0"
6'-0"	14.75", 27", 36", 42"	3'-0"
8'-0"	14.75", 27", 36", 42"	4'-0"
10'-0"	14.75", 27", 36", 42"	5'-0"
12'-0"	14.75", 27", 36", 42"	6'-0"
CUSTOM	CUSTOM	(C)=(A)/2



DETAIL 1



TOP VIEW



FRONT VIEW

SIDE VIEW

SPECIAL INSTRUCTIONS:

qty.

THIS DRAWING AND ALL THE INFORMATION THEREON IS THE PROPERTY OF THE IDEAL SHIELD. IS CONFIDENTIAL AND MUST NOT BE MADE PUBLIC, NOR COPIED, NOR USED, TO THE DISADVANTAGE OF SAID IDEAL SHIELD AND IS SUBJECT TO RETURN ON DEMAND.

NO.	REVISIONS	DATE	APPROVED

PROJECT

CUSTOMER

DESCRIPTION

APPROVED BY:

DRAWN BY:	APPROVED BY:	DATE:
DP		
PROJECT NO.:		SCALE:
FRG#:		DRAWING NO.:
MATERIAL:		SHEET OF
STEEL & HDPE PLASTIC		1 1

***SIGNATURE REQUIRED FOR SUBMITTAL**