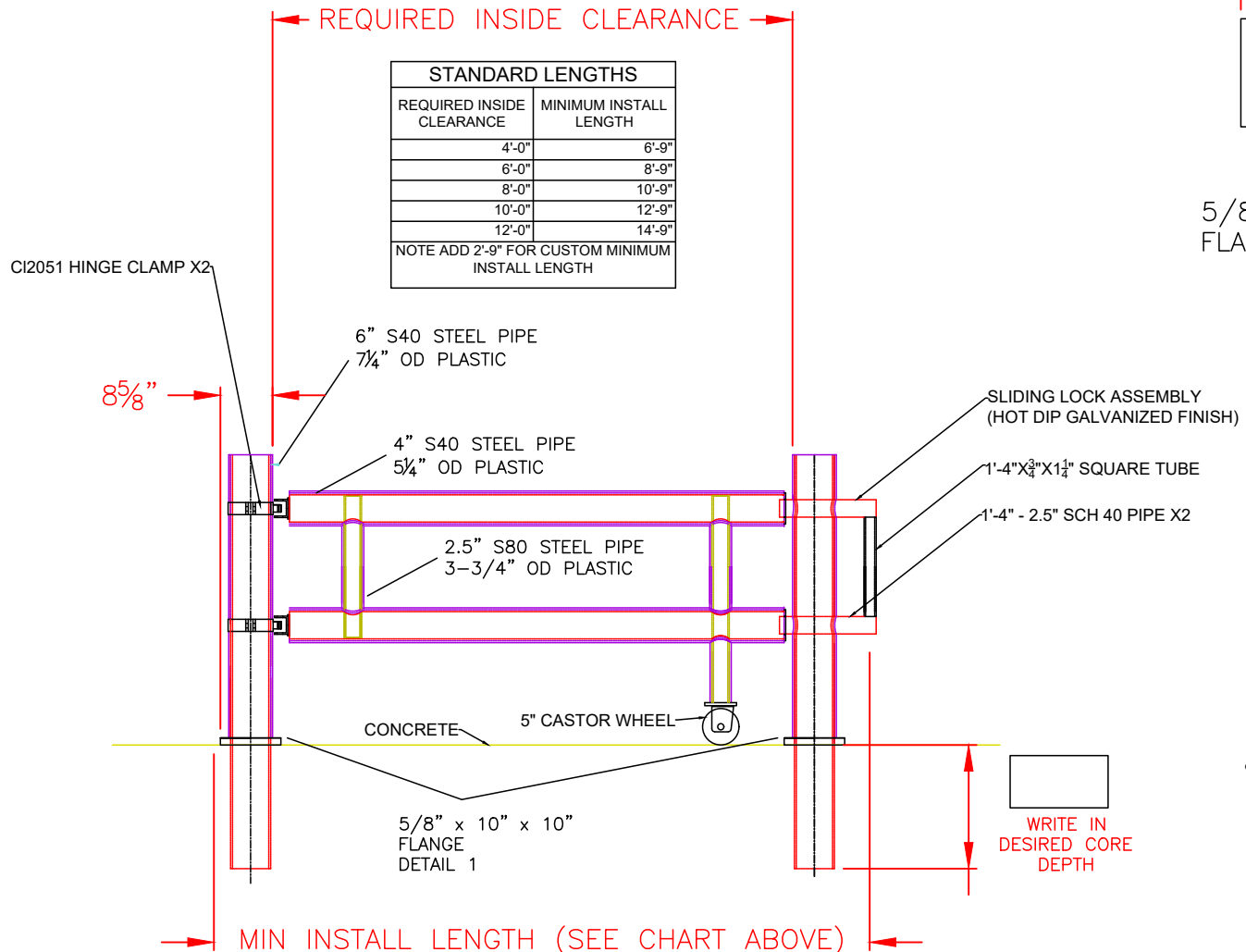
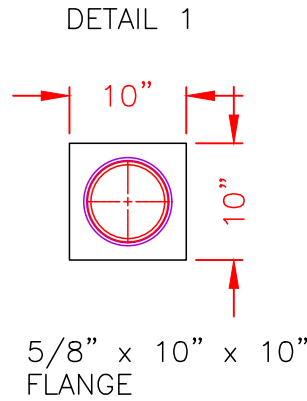


CORED STANDARD GUARDRAIL GATE

PART#: SGG-2-INSIDE LENGTH-48-CORED

WRITE REQUIRED INSIDE CLEARANCE:
 (READ SIZE CHART BELOW)

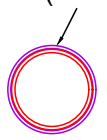
STANDARD LENGTHS	
REQUIRED INSIDE CLEARANCE	MINIMUM INSTALL LENGTH
4'-0"	6'-9"
6'-0"	8'-9"
8'-0"	10'-9"
10'-0"	12'-9"
12'-0"	14'-9"
NOTE ADD 2'-9" FOR CUSTOM MINIMUM INSTALL LENGTH	



SPECIAL INSTRUCTIONS:

qty.

- YES STEEL FLOOR SLEEVE (7" ROUND)
- NO



THIS DRAWING AND ALL THE INFORMATION THEREON IS THE PROPERTY OF THE IDEAL SHIELD. IS CONFIDENTIAL AND MUST NOT BE MADE PUBLIC, NOR COPIED, NOR USED, TO THE DISADVANTAGE OF SAID IDEAL SHIELD AND IS SUBJECT TO RETURN ON DEMAND.	NO. REVISIONS DATE APPROVED	PROJECT	CUSTOMER	DESCRIPTION	DRAWN BY: D.P.	APPROVED BY:	DATE: NA
			APPROVED BY:		PROJECT NO: -		SCALE: NA
					PAGE:		DRAWING NO:
					MATERIAL: PIPE & PLASTIC		SHEET 1 OF 1

*SIGNATURE REQUIRED FOR SUBMITTAL