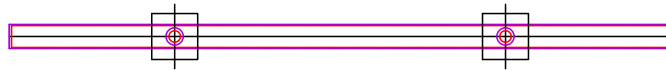
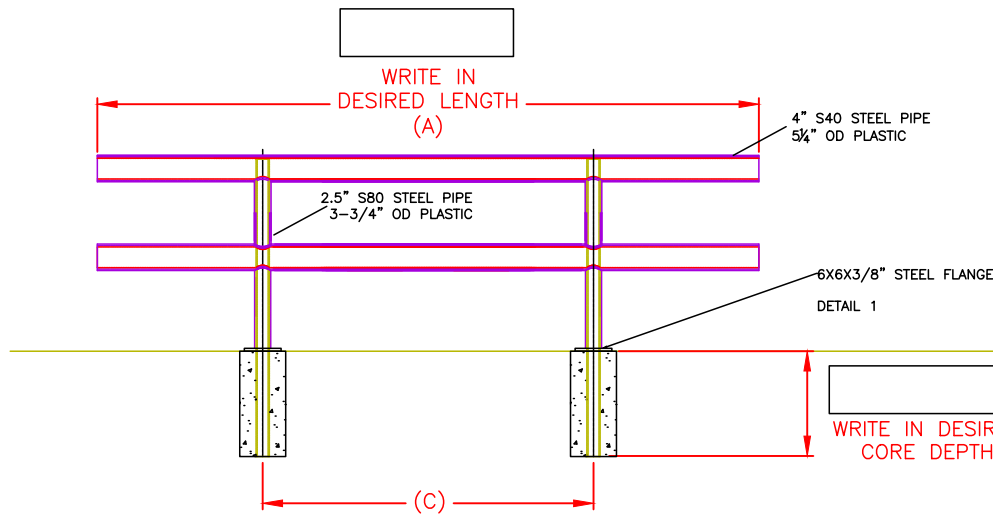


CORED TWO LINE STANDARD GUARDRAIL
 PART#: SGR-2-LENGTH-HEIGHT-CORED

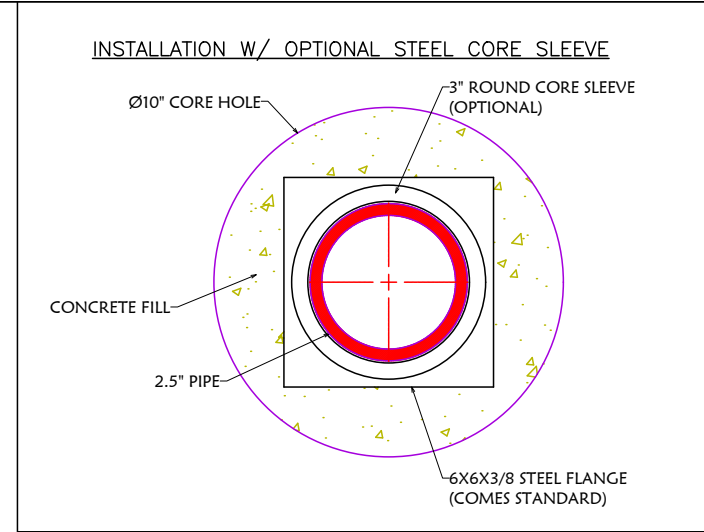
TWO LINE STANDARD GUARDRAIL SIZE CHART		
STANDARD LENGTH (A)	STANDARD HEIGHT (B)	POST TO POST LENGTH (C)
4'-0"	27",36",42"	2'-0"
6'-0"	27",36",42"	3'-0"
8'-0"	27",36",42"	4'-0"
10'-0"	27",36",42"	5'-0"
12'-0"	27",36",42"	6'-0"
CUSTOM	CUSTOM	(C)=(A)/2



TOP VIEW

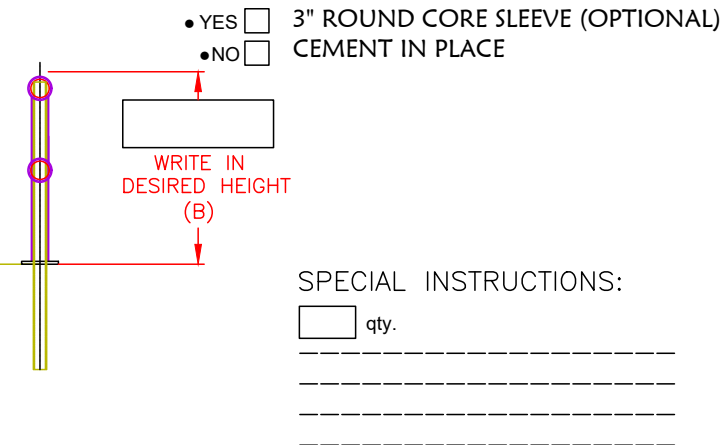


FRONT VIEW



INSTALLATION:
 FOR INSTALLATION SET PRODUCT IN AT LEAST 12" INCH DEEP HOLE AND FILL WITH CONCRETE

DETAIL 1



SIDE VIEW

THIS DRAWING AND ALL THE INFORMATION THEREON IS THE PROPERTY OF THE IDEAL SHIELD. IS CONFIDENTIAL AND MUST NOT BE MADE PUBLIC, NOR COPIED, NOR USED, TO THE DISADVANTAGE OF SAID IDEAL SHIELD AND IS SUBJECT TO RETURN ON DEMAND.	NO.	REVISIONS	DATE	APPROVED	PROJECT	CUSTOMER	DESCRIPTION	DRAWN BY: DP	APPROVED BY:	DATE:
								PROJECT NO.:		SCALE:
								ISSUE:		
								DRAWING NO.:		
								MATERIAL: STEEL & HDPE PLASTIC		
								SHEET 1 OF 1		

***SIGNATURE REQUIRED FOR SUBMITTAL**