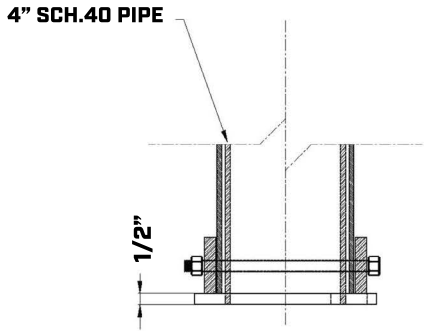
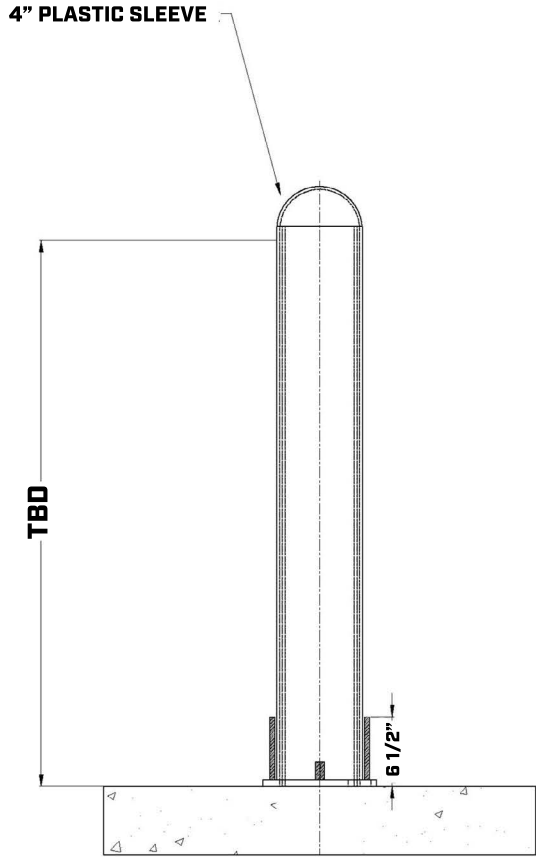
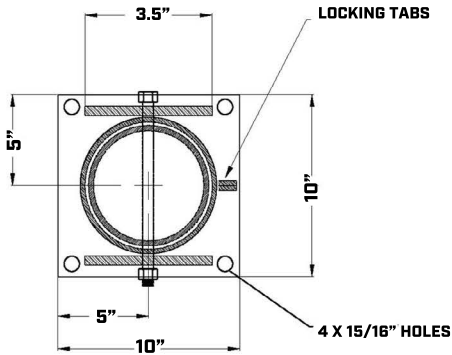


# 4" COLLAPSIBLE LOCKING BOLLARD



**BASE DETAIL**



Company: \_\_\_\_\_  
Project: \_\_\_\_\_  
Name: \_\_\_\_\_

Phone #: \_\_\_\_\_  
Email : \_\_\_\_\_  
Address: \_\_\_\_\_