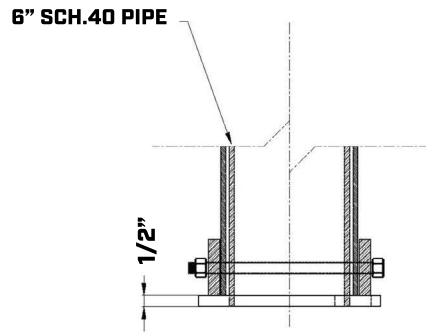
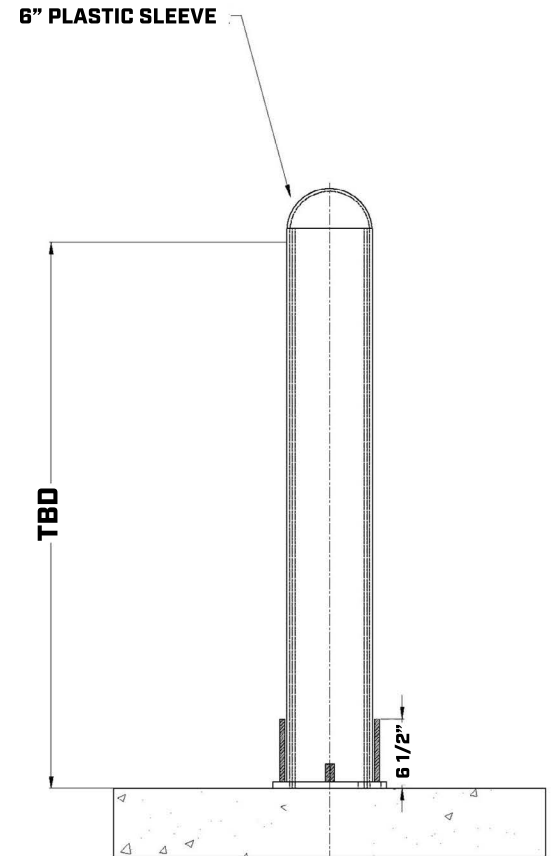
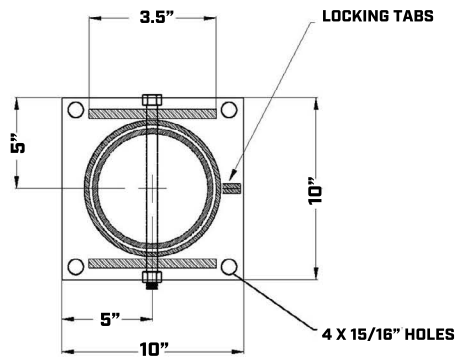


6" COLLAPSIBLE LOCKING BOLLARD



BASE DETAIL



Company: _____
Project: _____
Name: _____

Phone #: _____
Email : _____
Address: _____