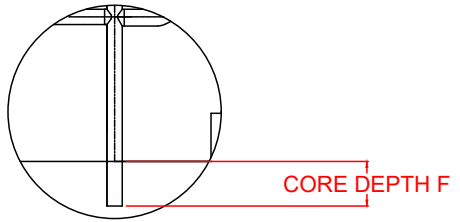
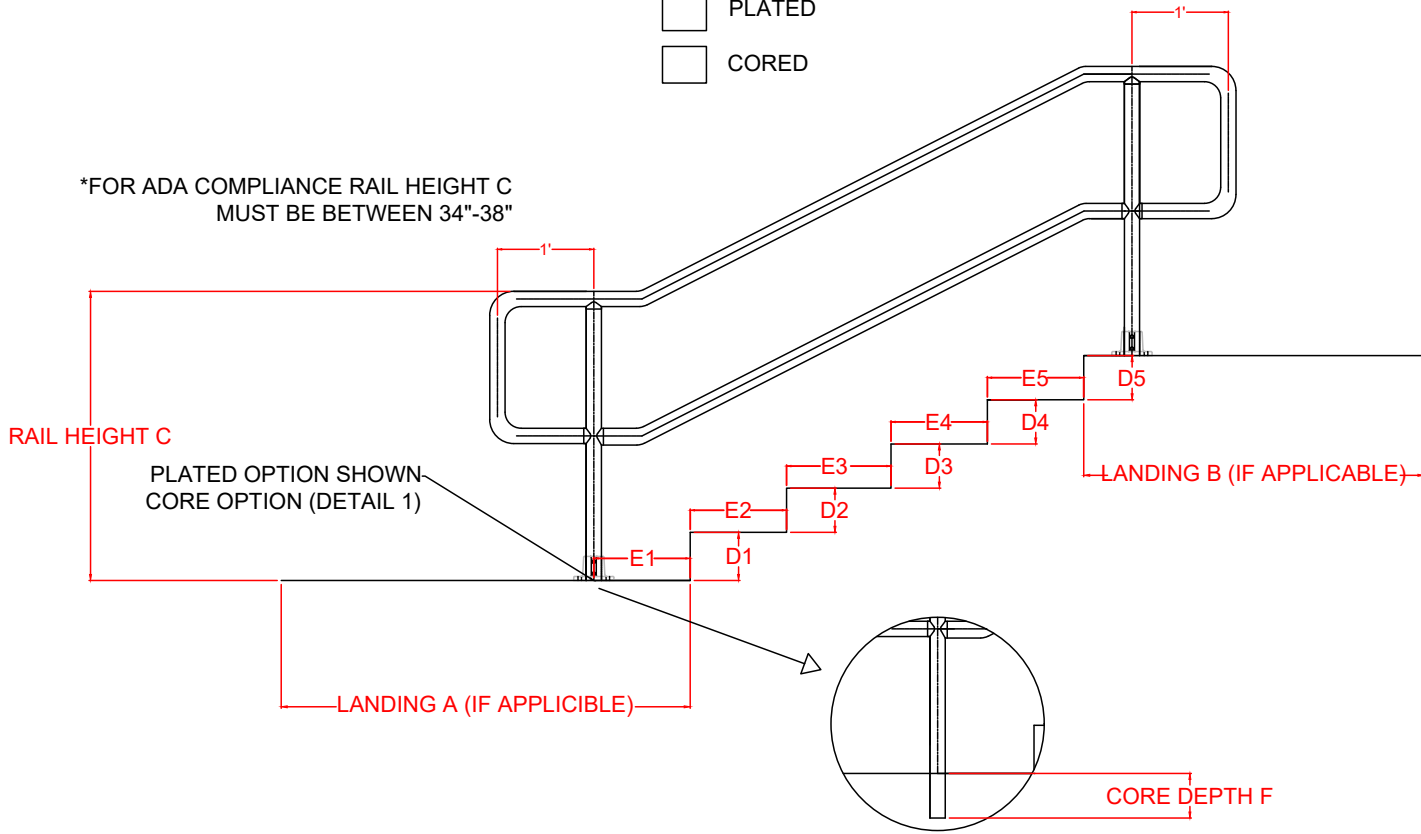


ALUMINUM STAIR APPLICATION

CHECK DESIRED INSTALLATION

- PLATED
- CORED

*FOR ADA COMPLIANCE RAIL HEIGHT C MUST BE BETWEEN 34"-38"



DETAIL 1

Please Write Measurements Here (inches)

LANDING A	
LANDING B	
RAIL HEIGHT C	
D1 (RISER)	
D2	
D3	
D4	
D5	
D6	
D7	
D8	
E1 (TREADS)	
E2	
E3	
E4	
E5	
E6	
E7	
E8	
CORE DEPTH F (IF APPLICABLE)	

- PLEASE MEASURE ALL TREADS AND FILL IN THE SPACE PROVIDED ABOVE. IF THERE ARE MORE STEPS THAN SPACE PROVIDED, PLEASE WRITE ON A SEPARATE SHEET
- DEPENDING ON THE NUMBER OF STEPS, EXTRA POSTS MAY BE NEEDED TO MEET CODE
- CAN BE TIED INTO A CUSTOM LAYOUT, PLEASE CONTACT A SALES REPRESENTATIVE

NO.	REVISIONS	DATE	APPROVED

PROJECT

CUSTOMER
APPROVED BY:

DESCRIPTION
HRI HANDRAIL

DESIGNED BY: D.P.	APPROVED BY:	DATE: 07/28/2020
PROJECT NO:		SCALE:
DRAWN:		DRAWING NO:
MATERIAL: ALUM		SHEET OF:

*SIGNATURE REQUIRED UPON SUBMITTAL