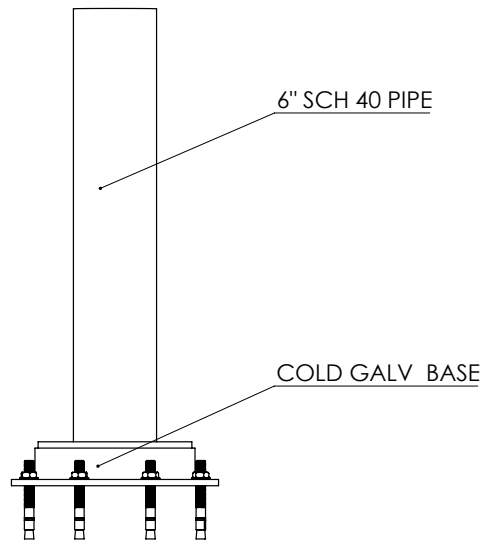


WRITE IN DESIRED HEIGHT (INCHES):



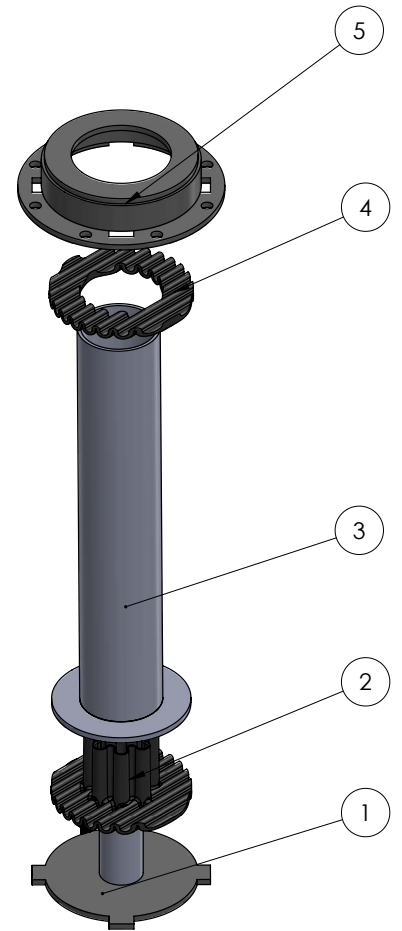
IMPACT ABSORBING BASE
PROTECTS CONCRETE AND
EQUIPMENT DURING IMPACTS

CUSTOMER SIGNATURE

THIS DRAWING AND ALL THE INFORMATION THEREON IS THE PROPERTY OF THE IDEAL SHIELD, IS CONFIDENTIAL AND MUST NOT BE MADE PUBLIC, NOR COPIED, NOR USED, TO THE DISADVANTAGE OF SAID IDEAL SHIELD AND IS SUBJECT TO RETURN ON DEMAND
COPYRIGHT 2003
IDEAL SHIELD

UNLESS OTHERWISE SPECIFIED: DIMENSIONS ARE IN INCHES SURFACE FINISH: TOLERANCES: LINEAR: ANGULAR:			FINISH:	DEBURR AND BREAK SHARP EDGES
DRAWN	NAME	SIGNATURE	DATE	
CHK'D				
APPV'D				
MFG				
Q.A				
MATERIAL:				
WEIGHT:				

BASE INSTALL ORDER



DO NOT SCALE DRAWING		REVISION
TITLE: BOUNCE BACK BOLLARD		
DWG. NO. BBB-ASSY-01	A3	
SCALE: 1:10	SHEET 1 OF 1	