

BOUNCE BACK BOLLARD SPECS

Product Details:

Steel Pipe: 6" x 48" Sch 40 A53B Pipe

Bollard Cover: Comes with 1/8" Cover (other options available)

Base Plate: A36 Steel

Base Plate Cover: 16.5" Base Plate - Galvanized or Brite Zinc

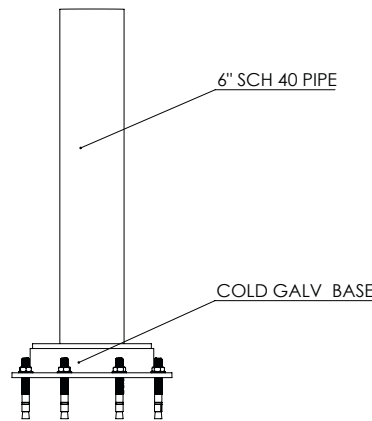
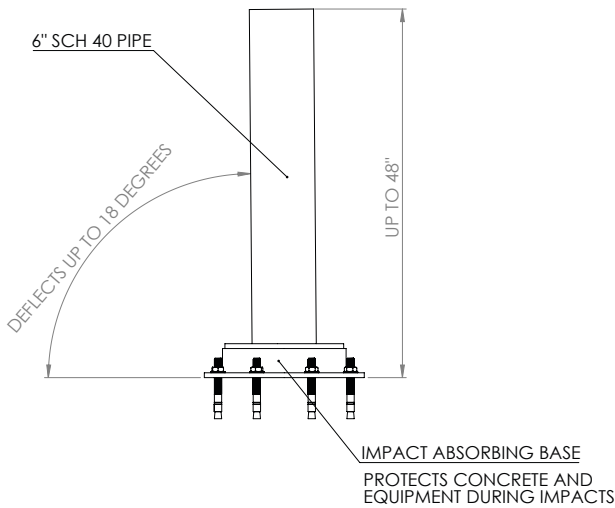
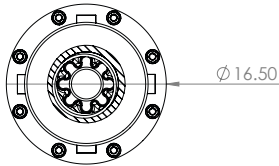
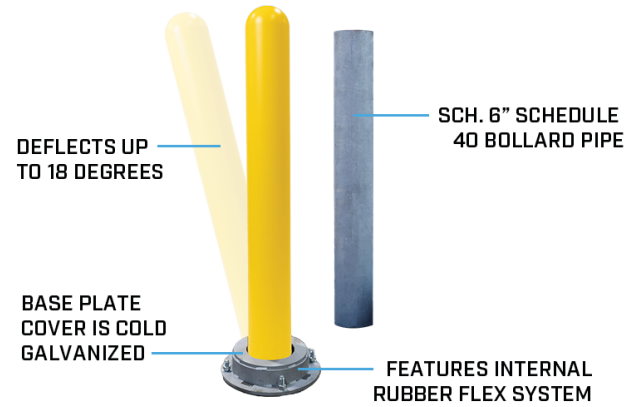
Galvonic Spray

Rubber Flex System: Flex Base and Flex Topper

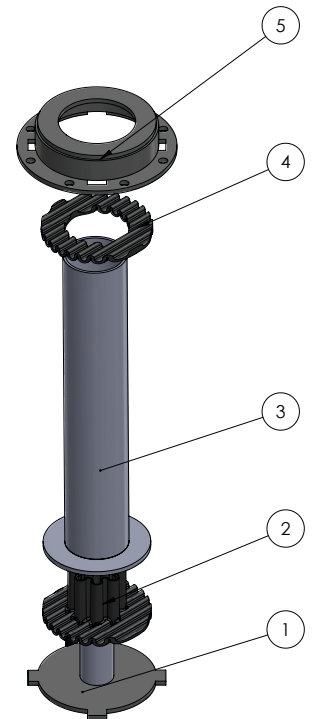
Install: Surface install with (4 or 8) Hilte Anchors or equivalent

Finish: Bollard Cover, Raw, Galvanized, Primed, or Powder Coated

*Installation hardware not provided



BASE INSTALL ORDER



(866)825-8659

WWW.IDEALSHIELD.COM