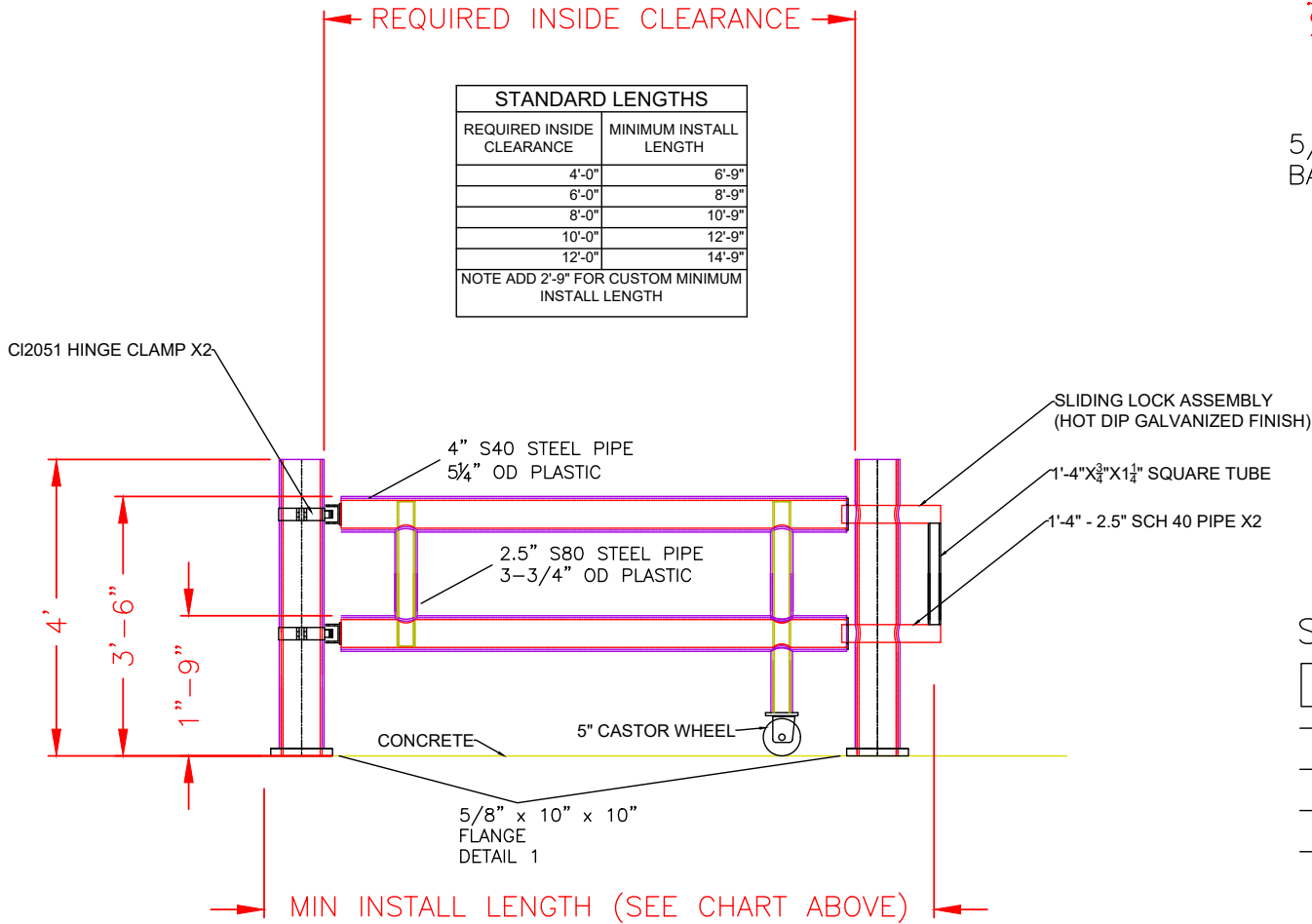
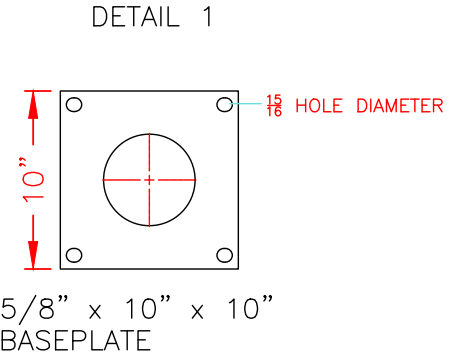


IDEAL SHIELD PLATED STANDARD GUARDRAIL GATE PART#: SGG-2-INSIDE LENGTH-48-PLATED

WRITE REQUIRED INSIDE CLEARANCE:
(READ SIZE CHART BELOW)

STANDARD LENGTHS	
REQUIRED INSIDE CLEARANCE	MINIMUM INSTALL LENGTH
4'-0"	6'-9"
6'-0"	8'-9"
8'-0"	10'-9"
10'-0"	12'-9"
12'-0"	14'-9"
NOTE ADD 2'-9" FOR CUSTOM MINIMUM INSTALL LENGTH	



SPECIAL INSTRUCTIONS:

qty.

THIS DRAWING AND ALL THE INFORMATION THEREON IS THE PROPERTY OF THE IDEAL SHIELD. IT IS CONFIDENTIAL AND MUST NOT BE MADE PUBLIC, NOR COPIED, NOR USED, TO THE DISADVANTAGE OF SAID IDEAL SHIELD AND IS SUBJECT TO RETURN ON DEMAND.
COPYRIGHT 2003
IDEAL SHIELD

NO.	REVISIONS	DATE	APPROVED

idealshield
MANUFACTURED BY IDEAL SHIELD

2525 Clark St.
Detroit, MI 48209

PROJECT _____

CUSTOMER _____

DESCRIPTION
PLATED GOAL POST
WITH STANDARD GUARDRAIL GATE
CUSTOM

DESIGNED BY	APPROVED BY	DATE
D.P.		
PROJECT NO.		SCALE
		NA
DRAWN BY		
CHECKED BY		
DATE		
PIPE & PLASTIC		SHEET 1 OF 1