

STEEL PIPE & PLASTIC HANDRAIL SPECS

Product Details:

Steel Pipe: Posts are constructed of 1 ¼" schedule 80 steel; horizontal rail is constructed of 1 ¼" schedule 40 steel

Plastic Sleeve: Posts and rails are sleeved in high-density polyethylene thermoplastic with 0.10" nominal thickness

Standard Height: 42" [custom sizes available]

Fittings: Aluminum Alloy 535 [ASTM B26]

Base Flanges: Aluminum Alloy 535 [ASTM B26]

Color: OSHA Yellow/Blue/Red/White/Brown/Grey/Black

Assembly: No welding or hot work

Installation Options: Cored, Surface-Mounted,
Side-Mount, Wall-Mount, or Non-Penetrating Base Plate

*Installation hardware not included

Structural Performance:

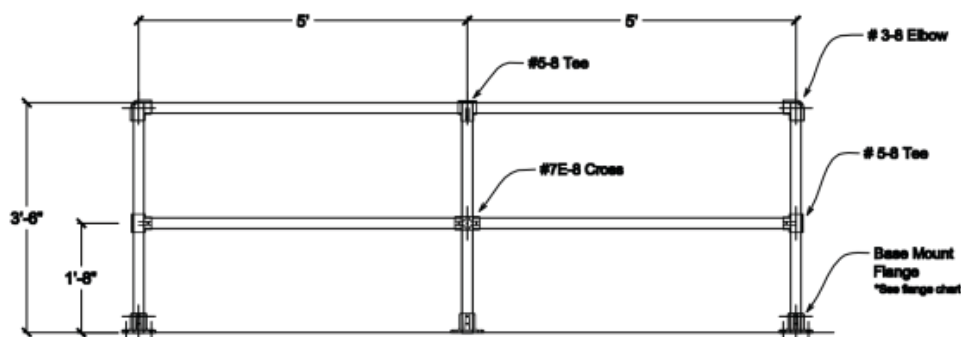
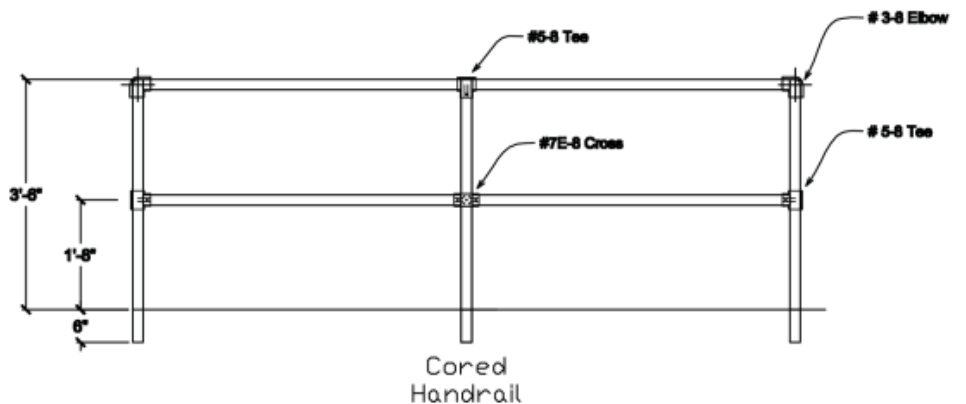
Provide railings capable of withstanding the effects of gravity loads and the following loads and stresses within limits and under conditions indicated

Top Rails:

1. Concentrated load of 200 lbf [890 N] applied in any direction
2. Uniform load of 50 lbf/ft: [730 N/m] applied in any direction

Intermediate Rails:

1. Applied normal load of 50 pounds [0.22kn] on an area not to exceed 1 square foot including openings and space between rails



(866)825-8659

WWW.IDEALSHIELD.COM