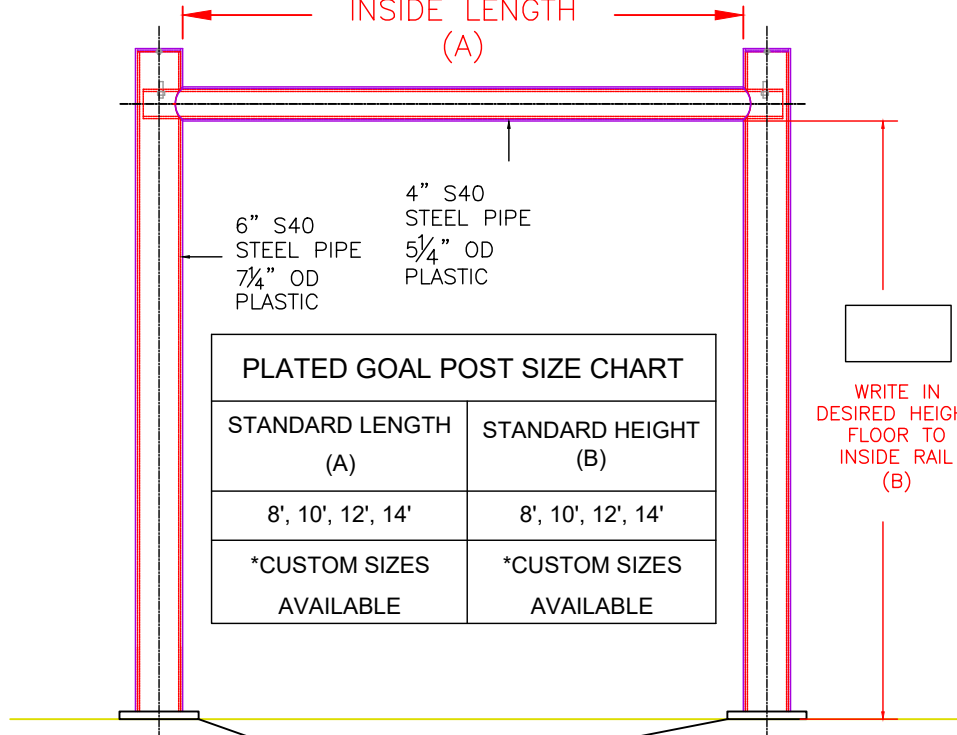




IDEAL SHIELD  
 PLATED GOAL POST  
 PART# GP-YL-WIDTH-HEIGHT-PLATED

\*COLOR CODE

WRITE IN DESIRED  
 INSIDE LENGTH  
 (A)



6" S40 STEEL PIPE  
 7 1/4" OD PLASTIC

4" S40 STEEL PIPE  
 5 1/4" OD PLASTIC

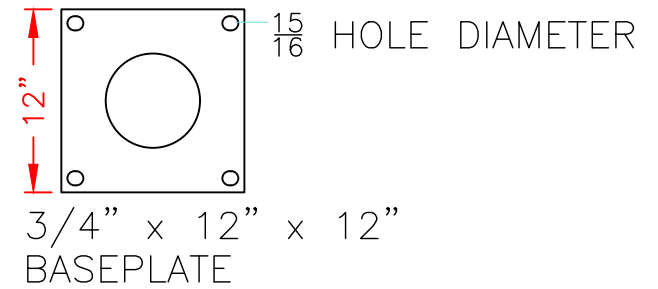
PLATED GOAL POST SIZE CHART	
STANDARD LENGTH (A)	STANDARD HEIGHT (B)
8', 10', 12', 14'	8', 10', 12', 14'
*CUSTOM SIZES AVAILABLE	*CUSTOM SIZES AVAILABLE

WRITE IN DESIRED HEIGHT  
 FLOOR TO INSIDE RAIL  
 (B)

3/4" x  
 12" x 12"  
 FLANGE  
 DETAIL 1

QTY.

DETAIL 1



SPECIAL INSTRUCTIONS:

THIS DRAWING AND ALL THE INFORMATION THEREON IS THE PROPERTY OF THE IDEAL SHIELD. IS CONFIDENTIAL AND MUST NOT BE MADE PUBLIC, NOR COPIED, NOR USED, TO THE DISADVANTAGE OF SAID IDEAL SHIELD AND IS SUBJECT TO RETURN ON DEMAND.

COPYRIGHT 2003  
 IDEAL SHIELD

NO.	REVISIONS	DATE	APPROVED

**IDEAL SHIELD**  
 2525 Clark St.  
 Detroit, MI 48209

PROJECT

CUSTOMER

**APPROVED BY:**

DESCRIPTION

PLATED GOAL POST

DRAWN BY: D.P.	APPROVED BY:	DATE:
PROJECT NO.:	SCALE:	NA
FIRST:	DRAWING NO.:	
MATERIAL: PIPE & PLASTIC	SHEET	1 OF 1

**\*SIGNATURE REQUIRED FOR SUBMITTAL**